

safehook

- AUSTRALIA -

OZ-Ihook specification sheet

Heavy duty two piece moulded U.V Stabilised Polypropylene bag and hat hook. Suitable for indoor and or outdoor usage. Two point screw fixing provides for added strength & suitability of installation to a wide variety of substrates.

Available in a range of colours, **OZ-I** bag & hat hooks have been designed to support combined loads of up to 100kg, **OZ-I** hooks offer a two position moulded hanging configuration. Hooks are designed with form and function in mind without compromising safety. Large moulded support buttons designed with rounded corners suitable for supporting wide strap items such as backpacks etc. whilst still being kind to clothing. Manufactured in Australia by Linc Furniture Pty Ltd.

SPECIFICATIONS

MATERIAL:

Moulded Co--polymer Polypropylene UV Stabilised and fully compounded at the time of manufacture.

AVAILABLE COLOURS - (RAL Colour Codes):

Hook Body: White, Black, Purple

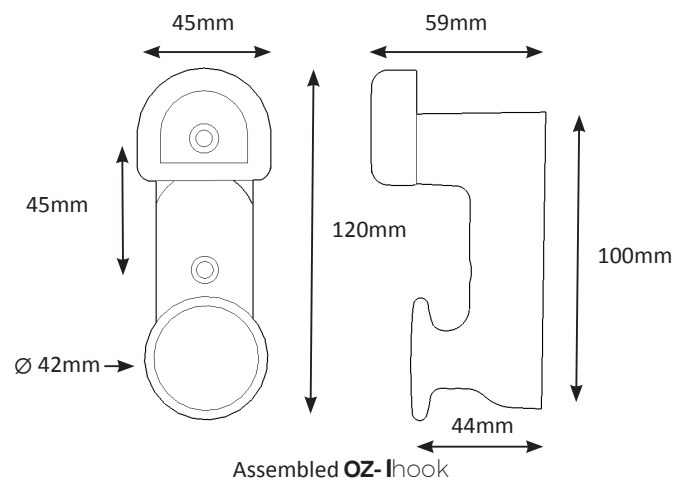
Buttons: Tango (2004), Scarlet (3024), Yellow, Grape (100-80-80), Sky (670-6), White(9010), Black, Hi Vis Pink & Primary Blue.

PERFORMANCE:

Mouldings have been designed to support a combined total load equivalent to 100kg (dead load) with-out deformation or failure.

FIXING HARDWARE:

Two (2) screw fixing points – we supply 1 x 62mm L & 1 x 52mm L 12ga CSK 316 SS self tapping screw's to fix an **OZ-I** hook to an 30mm thick structural timber substrate. Body screw head's colour coded.



WARRANTY:

5 year structural warranty, covering failure associated with faulty materials and workmanship. Whilst UV Stabilised materials are used to manufacture these items, it is understood that there will be some discolouration associated with UV degradation over time. Safe Hook uses the blue wool scale to determine a suitable warrantable level of degradation. Safe Hook does not warranty its products for failures associated with abuse and or misuse. A regular inspection of goods is recommended to ensure goods remain fit for purpose. Any damaged product should be removed from service ASAP & referred to Safe Hook for assessment.

INSTALLATION:

Safe Hook recommends that hooks be mechanically fastened to a secure, stable substrate capable of holding the combined number of hooks to be installed x 100kg per hook@300mm centres. Hooks should be fastened to a surface that has a face measurement of at least 85mm wide. Care should be taken not to damage the hook moulding during installation. Safe Hook takes no responsibility for the installation of hooks where hooks are installed by any party other than Safe Hook Australia or its approved installers. Refer Safe Hook Australia's warranty for further details. Questions of suitability of substrates to mount hooks to should be referenced to the manufacturer of that substrate. Safe Hook takes no responsibility for the suitability of surfaces to which they are installed.

Note hooks have not been designed to be used as climbing devices, and or to support the weight of excessively heavy items, hooks should not be used for this purpose.

Nb. Specifications subject to change without notice.

www.safehook.com.au
p +61 7 3366 1858 f +61 7 3366 0276